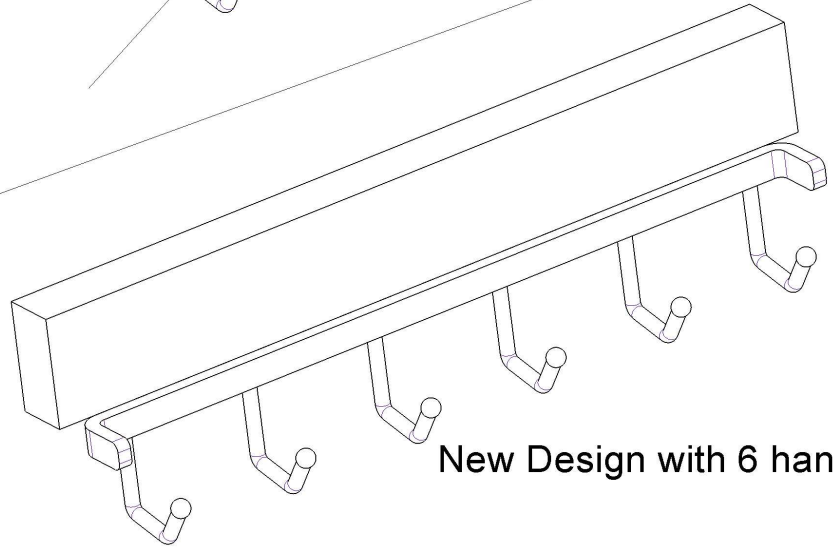
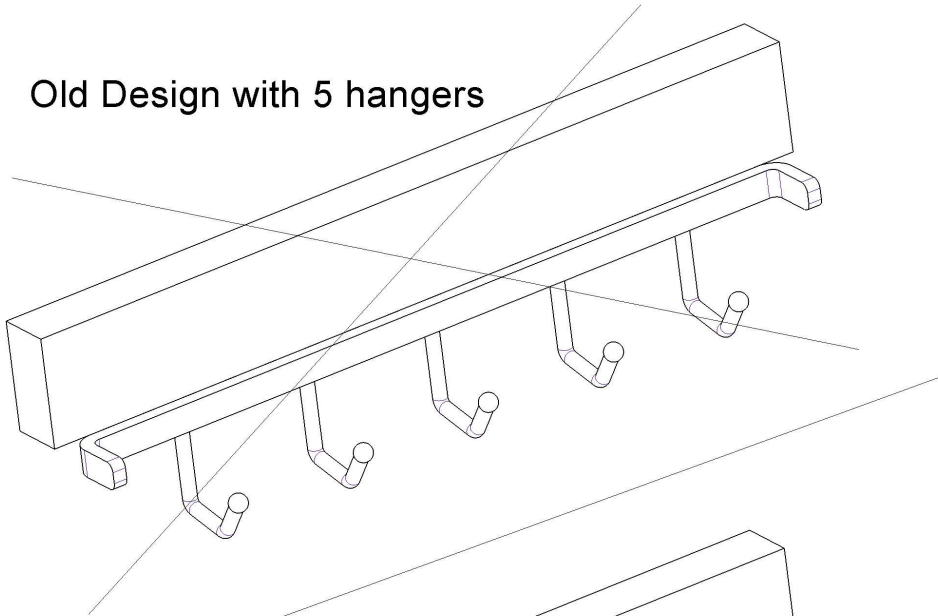
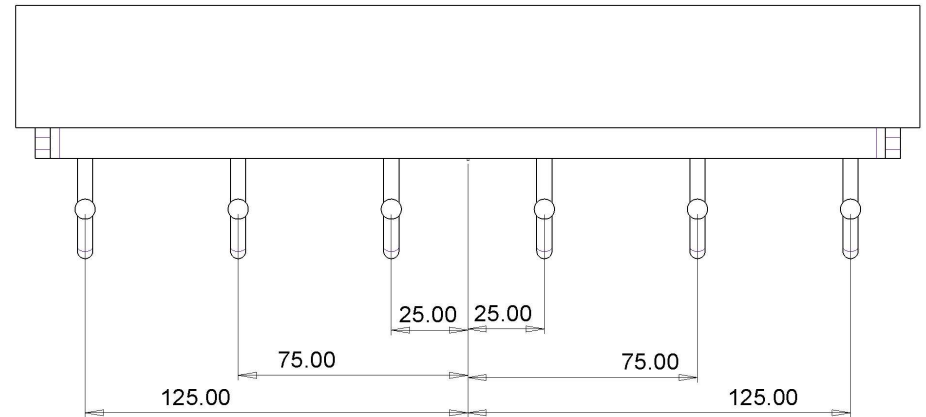


Old Design with 5 hangers



New Design with 6 hangers

Belt Hanger to be made with 6 hangers



Sheet

M-View1

Drawn By: Ken Miller	Scale: 1:2	Date: 12/17/07	HARDWARE RESOURCES 4319 MARLENA ST. BOSSIER CITY, LA. 71111
<p>TOLERANCES UNLESS OTHERWISE SPECIFIED TOLERANCES ARE IN METRIC</p> <p>OVERALL LENGTH $\pm 0.1\text{MM}$ ANGLES $\pm 0.30^\circ$</p>			PART NAME: Belt Hanger
			MATERIAL:
			ITEM NO:
			PLATING: